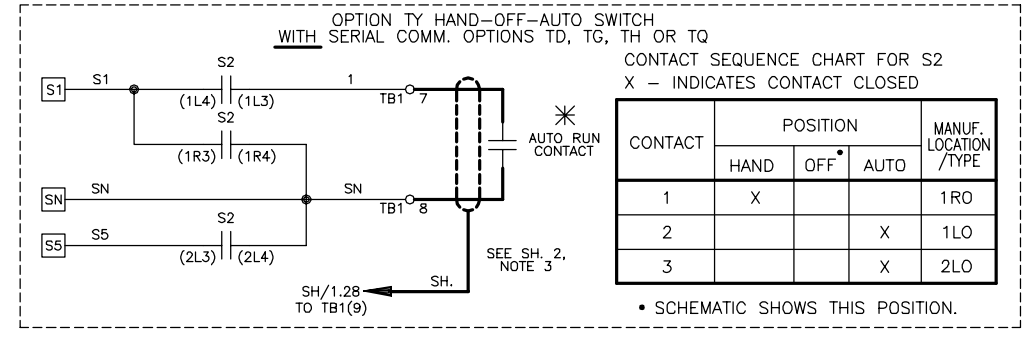
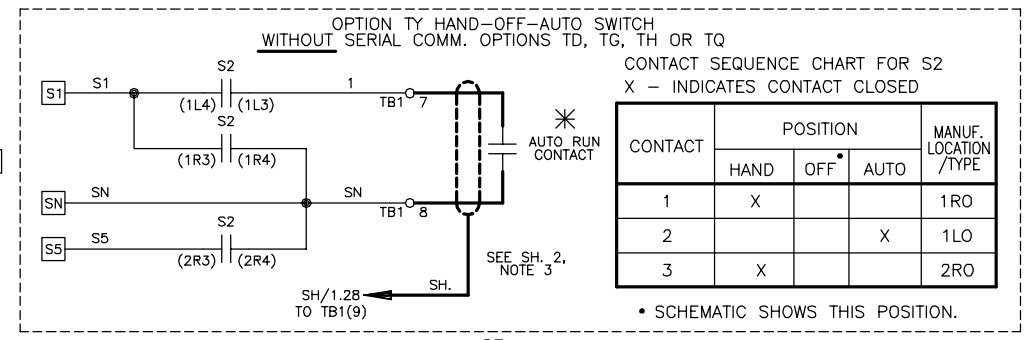
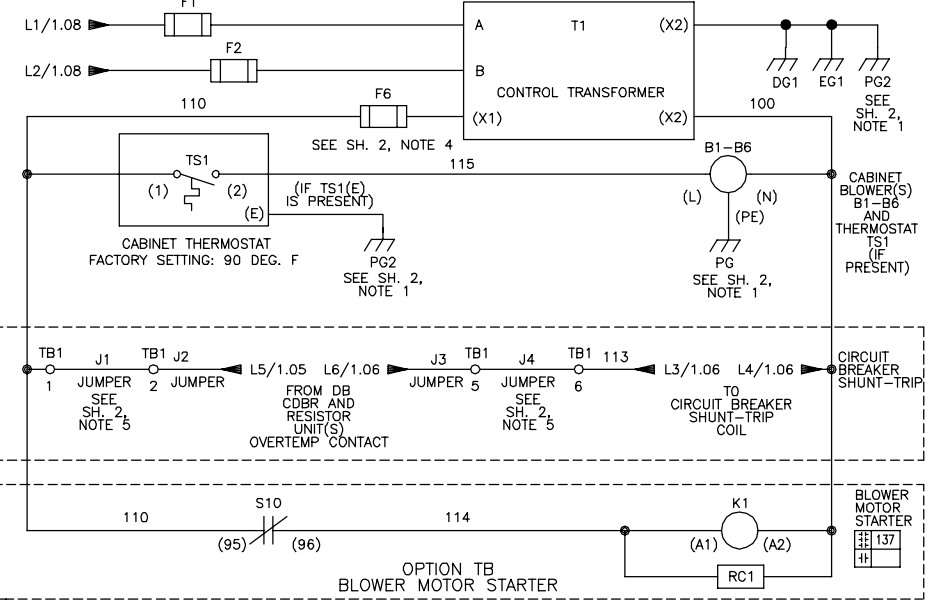
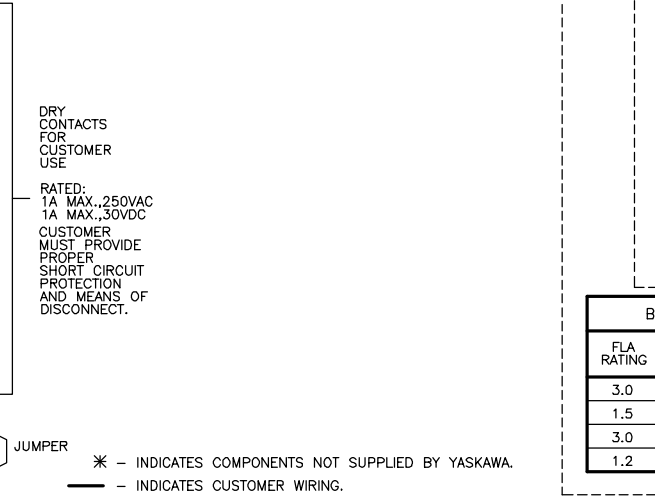
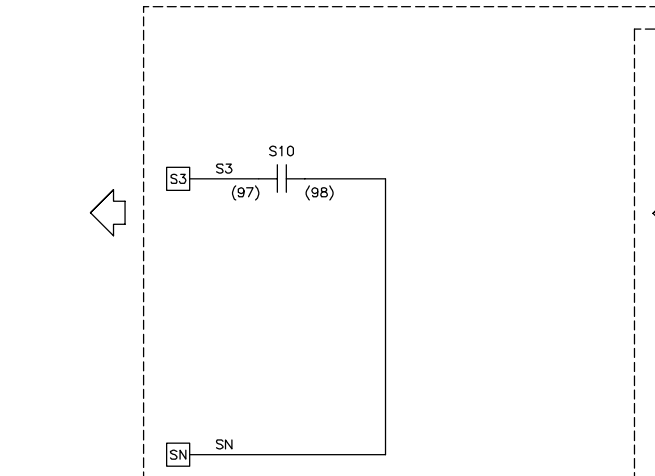
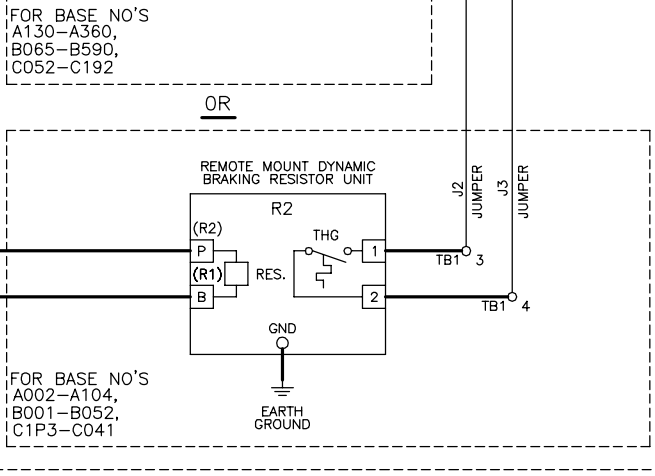
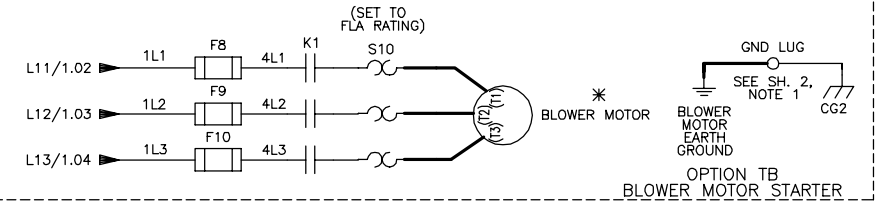


CONTROL TRANSFORMER PRIMARY CONNECTIONS			
INPUT VOLTS	TERMINALS		JUMPER LOCATION
	A	B	
230/240	(H1)	(H4)	(H1) TO (H3) (H2) TO (H4)
460/480	(H1)	(H4)	(H2) TO (H3)
600	(H1)	(H2)	NONE



BLOWER MOTOR			
FLA RATING	AMPS	VOLTS	
3.0	2.2 - 360	240	
1.5	1.6 - 477	480	
3.0	515 - 590	480	
1.2	1.3 - 192	600	



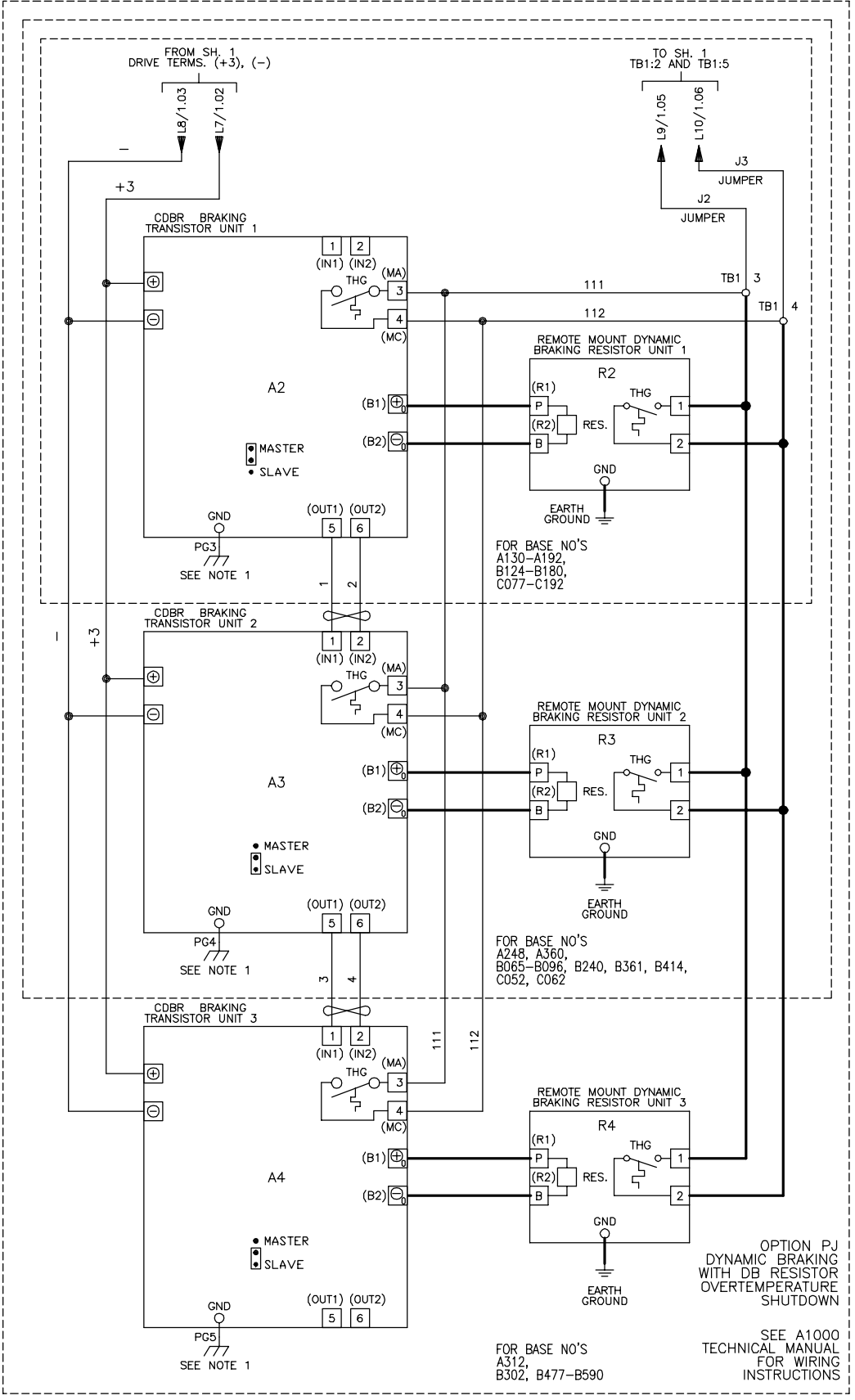
REVISIONS				
REV.	DESCRIPTION	ECO #	DRAWN BY	DATE
08	CHGD. CUSTOMER CONNECTION DRAWING NUMBER	7521	KM	02/02/21
07	S3 DEFAULT SINK MODE	10353	KG	07/14/20

YASKAWA

THIS DOCUMENT AND INFORMATION CONTAINED IN IT ARE CONFIDENTIAL, AND CANNOT BE COPIED OR DISCLOSED IN WHOLE OR IN PART WITHOUT THE EXPRESS WRITTEN CONSENT OF YASKAWA AMERICA INC.

DRAWN BY: K. MALUSIC	DATE: 12/16/11	TITLE: SCHEMATIC DIAGRAM
CHECKED: D.R. CMELAK	DATE: 12/16/11	A1000 CONFIG TYPE 12
APPROVED: K. FLIERL	DATE: 12/16/11	HEAVY DUTY RATING
ORIGINAL DESIGN: D. PACKER	DATE: 12/16/11	WITH OPTION PJ

SIZE: D REVISION: 08 PAGE: 1 of 2
DRAWING #: DS.A1C12.02



NOTES:

- CONNECTED TO THE CABINET. CUSTOMER TO CONNECT THE CABINET GROUND LUG TO EARTH GROUND.
- CONDUIT FITTINGS/HUBS SHALL COMPLY WITH THE 'STANDARD FOR CONDUIT, TUBING, AND CABLE FITTINGS, UL 514B', OR CONDUIT FITTINGS HAVING THE SAME ENVIRONMENTAL RATING AS THE ENCLOSURE SHALL BE USED.
- INSULATED TWISTED SHIELDED WIRE IS REQUIRED. SHIELD TO CONNECT TO PROPER TERMINALS AS SHOWN. CONNECT THE SHIELD ONLY AT THIS END. STUB AND ISOLATE THE OTHER END. DO NOT RUN THESE WIRES IN THE SAME CONDUIT AS THE AC POWER AND AC CONTROL WIRES. KEEP ALL WIRING UNDER 50m IN LENGTH.
- FOR A CONTROL TRANSFORMER T1 POWER RATING OF 350VA OR GREATER, SECONDARY FUSE F6 IS ADDED.
- CUSTOMER TO REMOVE JUMPERS J1 AND J4 FOR WIRING TO EXTERNAL CONTROL LOGIC, IF APPLICABLE.
- IF AC MOTOR IS FURNISHED WITH A N.C. THERMAL SWITCH THEN SET DRIVE PARAMETER H1-08 TO 27. THIS WILL CAUSE THE DRIVE TO COAST TO STOP UPON A AC MOTOR THERMAL FAULT. ALONG WITH THIS, ADD THE FOLLOWING CUSTOMER WIRING: WIRE THE N.C. THERMAL SWITCH BETWEEN DRIVE TERMINALS S8 AND SN, AS PER NOTE 3 ABOVE.
- OPTIONS TD, TG, TH OR TQ CONTROL (SEE USE00337 FOR MORE INFORMATION):
 OPTION TD = ETHERNET/IP
 OPTION TG = DEVICENET
 OPTION TH = PROFIBUS
 OPTION TQ = ETHERNET MODBUS TCP/IP

YASKAWA	DRAWN BY:	K. MALUSIC	DATE:	12/16/11	TITLE:	SCHEMATIC DIAGRAM		
	CHECKED:	D.R. CMELAK	DATE:	12/16/11	A1000 CONFIG TYPE 12 HEAVY DUTY RATING WITH OPTION PJ			
THIS DOCUMENT AND INFORMATION CONTAINED HEREIN IS CONFIDENTIAL AND NOT BE COPIED OR DISCLOSED IN WHOLE OR IN PART WITHOUT THE EXPRESS WRITTEN CONSENT OF YASKAWA AMERICA, INC.	APPROVED:	K. FLIERL	DATE:	12/16/11	SIZE:	D	REVISION:	08
	ORIGINAL DESIGN:	D. PACKER	DATE:	12/16/11	PAGE:	2 of 2		
					DRAWING #:	DS.A1C12.02		